

MODEL: CWF500D-3W
ITM.: 1228333

FOR USE WITH 3-WAY OR SINGLE POLE APPLICATIONS.

SPECIFICATIONS

Voltage.....	120VAC, 60Hz
Incandescent.....	600W
CFL/LED/Electronic self-ballasted.....	2A (150W)
Operating Temperature.....	32°F~104°F (0°C~40°C)
Wire Strip Length.....	16mm (5/8 in.)
Supply Connection.....	14 AWG wires
Screw Torque.....	20 lbf-in
Protocol.....	IEEE 802.11b/g/n
Network Requirements.....	Wireless router supporting 2.4 GHz wireless band
Smart Device Compatibility.....	Remote Control Devices using Cellular Data or Wi-Fi
	Android™ smartmobile device running Android™ 4.1 or above
	iPhone/iPad running iOS 8 or above
	CE Smart App 2.3.0 or higher
Certifications.....	UL & C-UL Listed, FCC, IC
Standards.....	Conforms to UL STD UL1472
	Certified to CSA STD C22.2 No. 184.1-15
	Conforms to IC STD RSS 247 RF, ICES-003(B)

FEATURES

- Perfect replacement for regular wall ON/OFF and dimmer switch, 120VAC
- Manual and remote ON/OFF and dim control of any permanently installed incandescent, halogen, dimmable LED and CFL lamp fixture
- For use with single pole or 3-way applications.
- Air-gap switch disconnects power from load.

DESCRIPTION

The CWF500D-3W dimmer switch is a manual or wireless controlled dimmer switch that replaces a normal household single pole or 3-way light switch. Dimmable light bulbs are required. The dimmer switch can control incandescent, halogen, dimmable LED and CFL bulbs. Sliding air-gap switch disconnects power while replacing light bulbs and prevents leakage of current from fixture(s). The LED dimming performance may vary based upon dimmer type, model, manufacturer, circuit wiring and circuit load.

Lighting selection is up to the user, there are no warranties of performance or compatibility implied or guaranteed.

FCC COMPLIANCE

This device complies with part 15 of the FCC rules and the Industry Canada license-exempt RSS standard(s). Operation is subject to the following two conditions: (1) this device may not cause interference, and (2) this device must accept any interference, including interference that may cause undesired operation of the device. This device complies with RSS-247 of Industry Canada. Operation is subject to the condition that this device does not cause harmful interference.

This equipment complies with Canada radiation exposure limits set forth for an uncontrolled environment. This equipment should be installed and operated with a minimum distance of 20cm between the antenna of this device and your body.



WARNINGS AND CAUTIONS

Be sure to read the instructions carefully before installation, the manufacturer will not be responsible for any product damage or personal injury.

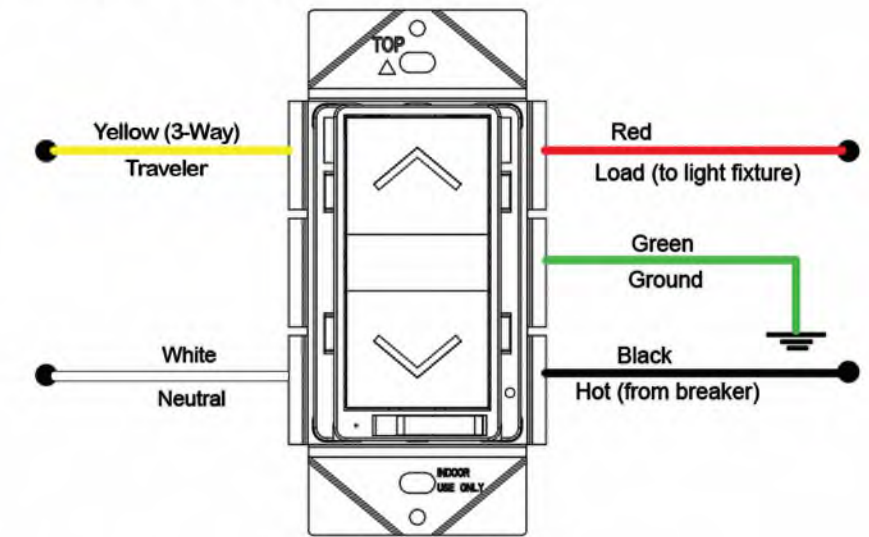
1. Risk of electric shock. DO NOT use in wet or damp locations.
2. For indoor use only.
3. Risk of fire. DO NOT exceed recommended electrical ratings.
4. TO AVOID FIRE, SHOCK, OR DEATH, TURN OFF POWER at the circuit breaker or fuse and test that the power is off before wiring!
5. Slide air-gap switch to left to completely disconnect power to the load before replacing bulbs.
6. DO NOT use with precision timing devices where inaccurate timing could be dangerous.
7. DO NOT use with devices that should not be operated unattended (heaters, burners, etc.).
8. Check with your local building jurisdiction as to permit, license or code requirements for installing wire or switches within a wall. Some municipalities require an electrical inspection for modification of electrical work. It is recommended that all modifications or alterations of existing or new electrical work to be inspected by a licensed electrical inspector.
9. Install this product to meet applicable National Electrical Code, Canadian Electrical Code and/or State, Provincial, and local building code requirements for installing electrical building wire and switches as a single extension circuit, without modification or alteration to the building electrical circuit/wiring system. Installation code compliance is the responsibility of user and/or installer, and not of the manufacturer or its agents.
10. Manufacturer and distributor are not liable for damages due to improper installation or violation of national electrical or local building code. If you are not skilled with working with electrical systems, you should hire a qualified professional electrician to install this product.

CAUTION – To Reduce The Risk of Overheating and Possible Damage to Other Equipment, Do Not Install to Control a Receptacle, a Motor-Operated Appliance or a Fluorescent Lighting Fixture or a Transformer Supplied Appliance.

LIMITED 1 YEAR MANUFACTURERS WARRANTY:
ALL CHARGING ESSENTIALS PRODUCTS MUST BE INSTALLED AND USED IN ACCORDANCE WITH THEIR INSTRUCTIONS, INCLUDING INSTRUCTIONS PROVIDED WITH THE CHARGING ESSENTIALS PRODUCT PACKAGING OR PROVIDED ON THE PRODUCT ITSELF. AT THE DISCRETION OF CHARGING ESSENTIALS ANY DEFECTIVE PRODUCT WILL BE REPLACED OR THE PURCHASE PRICE REFUNDED. THIS WARRANTY SHALL IN NO EVENT EXCEED AMOUNTS PAID BY CUSTOMER TO CHARGING ESSENTIALS OR ITS AFFILIATES FOR THE CHARGING ESSENTIAL PRODUCTS INVOLVED, AND EXPRESSLY EXCLUDES COVERAGE OF ANY DAMAGE TO FIXTURES, LAMPS OR THIRD PARTY PRODUCTS OR ELECTRONICS.

INSTALLATION

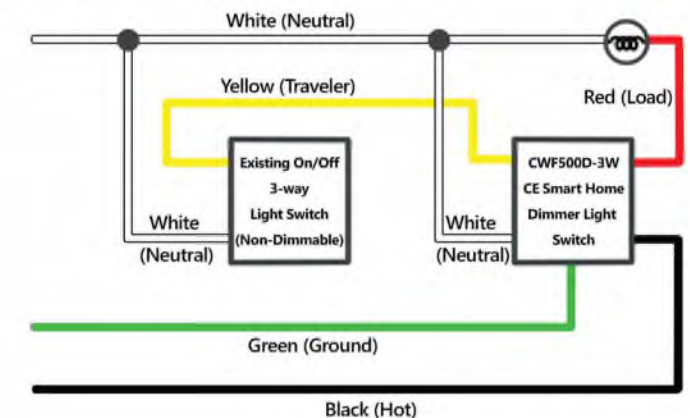
This CWF500D-3W dimmer light switch can be used in new installations or replace an existing wall switch. For use with Single Pole or 3-Way applications. NOTE: 5 wires required for 3-Way, 4 wires required for Single Pole.



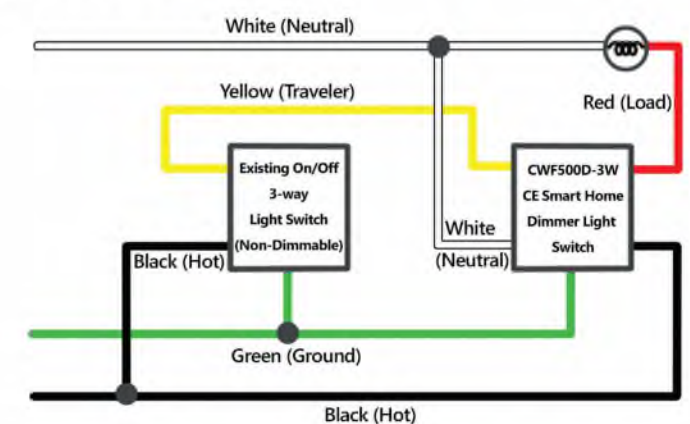
Typical Wiring Diagram for 3-Way Application:

All 5 wires are required for proper installation and function: Load, Ground, Hot, Neutral and Traveler.

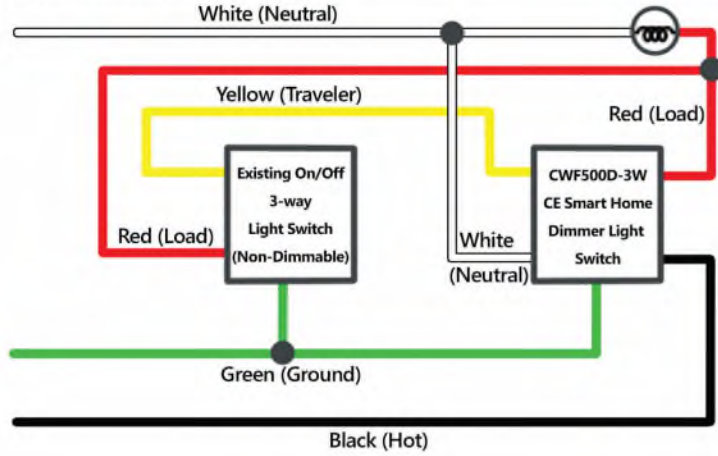
Wiring Method 1



Wiring Method 2

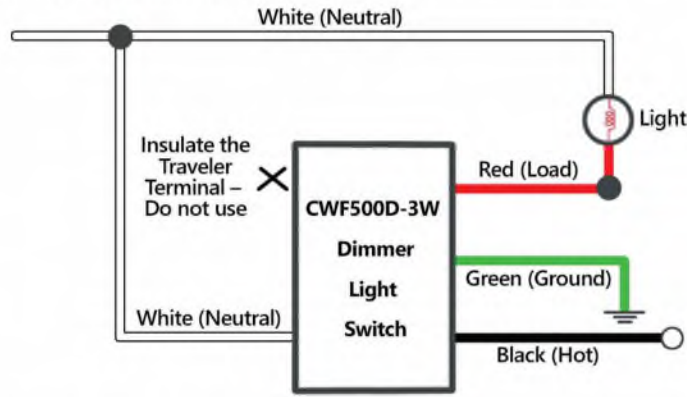


Wiring Method 3



Typical Wiring Diagram for Single Pole Application:

All 4 wires required for proper installation and function: Load, Ground, Hot and Neutral.



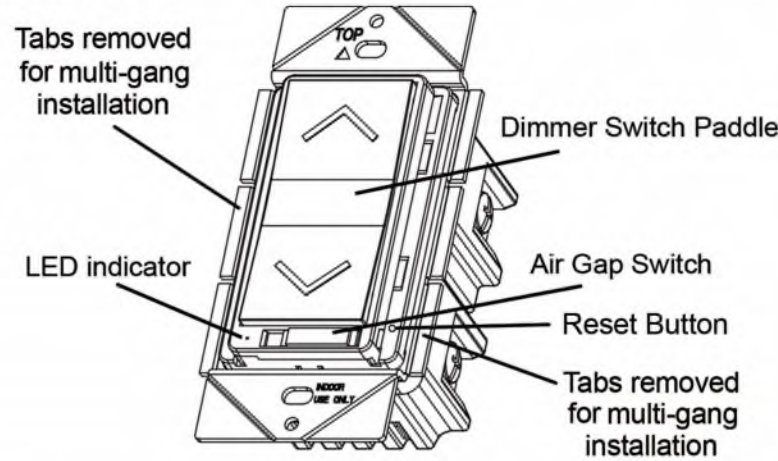
1. **WARNING:** High voltage - To avoid fire, shock, or death, turn power off at circuit breaker or fuse and test that power is off at the switch before wiring.
2. Remove wall plate and existing switch mounting screws.
3. Carefully remove the existing switch from the switch box.
4. Disconnect the wiring from the existing switch.
5. Connect the dimmer switch as shown in the wiring diagram: Black wire to hot wire, white wire to neutral wire, red wire to load wire, green wire to ground wire, yellow wire to traveler wire.
6. Check connections to be sure they are tight and no bare conductors are exposed.
7. Insert the CWF500D-3W dimmer switch into the standard outlet box carefully.
8. Secure the CWF500D-3W dimmer switch to the box using the supplied screws.
9. Attach the wall plate.
10. Restore power at the circuit breaker and test the system.

Air Gap Switch

The CWF500D-3W has an air-gap switch on the lower right side. During normal operation, there is a small amount of power passing through the load to maintain the Wi-Fi connection even when the dimmer switch is turned off. The air-gap switch must be all the way to the right for the dimmer to function and control the lighting. To disconnect the power to the load while changing light bulbs, slide the air-gap switch to the left. You will need to slide right for normal operation.

MULTI-GANG INSTALLATION

When installing more than one control in the same wall box, it may be necessary to remove the side tabs before installing (see below). Using pliers, bend each tab back and forth until they break off. Repeat for each tab to be removed. Removal of tabs WILL REDUCE MAXIMUM LOAD CAPACITY.



LED/CFL Derating Chart			
Load Capacity when Tabs are removed from:			
	0 Sides	1 Side	2 Sides
Dimmable LED/CFL	150W	150W	150W

When using the dimmer to control LED/CFL lights in conjunction with another dimmer to control incandescent/halogen lights, follow this derating chart for maximum capacity on EACH device.

If the combined wattage of ALL LED/CFL bulbs on 1 dimmer is:	Then the maximum COMBINED wattage for the Incandescent/Halogen bulbs on EACH attached dimmer:		
	If NO Tabs are removed then Max Wattage is:	If 1 side of Tabs is removed then Max Wattage is:	If 2 sides of Tabs are removed then Max Wattage is:
0W	600W	500W	400W
1-25W	500W	400W	300W
26-50W	400W	300W	200W
51-75W	300W	200W	100W
76-100W	200W	100W	50W
101-125W	100W	50W	0W
126-150W	0W	0W	0W

If you are using ONLY LED/CFL bulbs on ALL dimmers, DO NOT USE this derating chart. Follow the LED/CFL derating chart.

OPERATION

Manual Control

The CWF500D-3W dimmer switch allows the user to: Turn ON/OFF and control the brightness level of the connected lighting.

1. To turn the connected lighting ON: Tap the top of the dimmer switch paddle. The LED indicator will turn on in blue.
2. To turn the connected lighting OFF: Tap the bottom of the dimmer switch paddle again. The LED indicator will turn off.
3. To brighten the connected lighting: Press and hold the top of the dimmer switch paddle, release when desired level is achieved.
4. To dim the connected lighting: Press and hold the bottom of the

dimmer switch paddle, release when desired level is achieved.

Please note: pressing and holding the dimmer switch paddle until the light intensity is at the minimum setting does not turn the power OFF, you must still tap (short press) the bottom of the dimmer switch paddle to turn the power OFF.

Remote Control

After you have successfully set up the CE Smart app and your dimmer light switches, you may control them remotely from your mobile device using a Wi-Fi or cellular connection. Works with Amazon Alexa, the Google Assistant and Siri Shortcuts.

Quick Start for CE Smart App

1. Use your mobile device to scan the QR code below or search for "CE Smart" in the App Store or on Google Play to download and install the app. For iPad's select "iPhone Only" option in the App Store to locate CE Smart app.

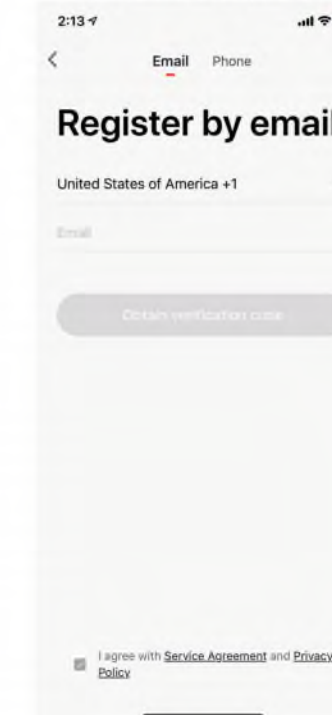


2. Connect mobile device to your 2.4GHz Wi-Fi network. Please note this Wi-Fi Dimmer Light Switch can only be connected via a 2.4GHz network.

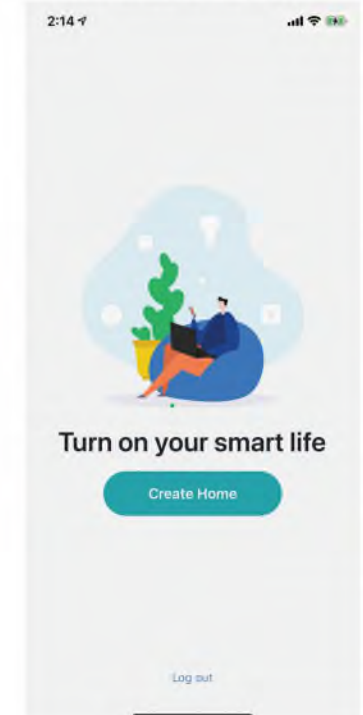


3. Launch CE Smart and follow the in-app instructions to connect the Smart Wi-Fi Dimmer Light Switch to your network.

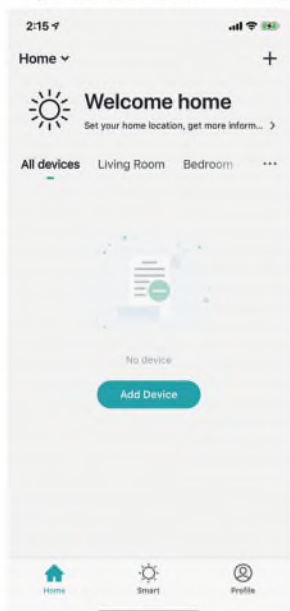
a. Register/Log in to CE Smart using email or phone #



b. Create Home



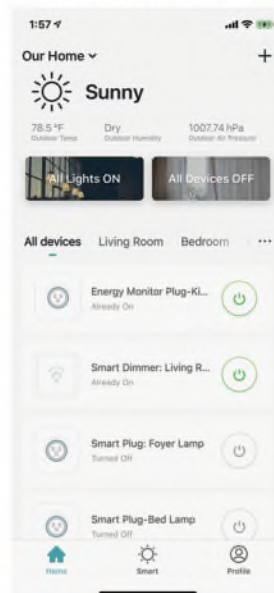
c. Tap Add Device or "+" sign



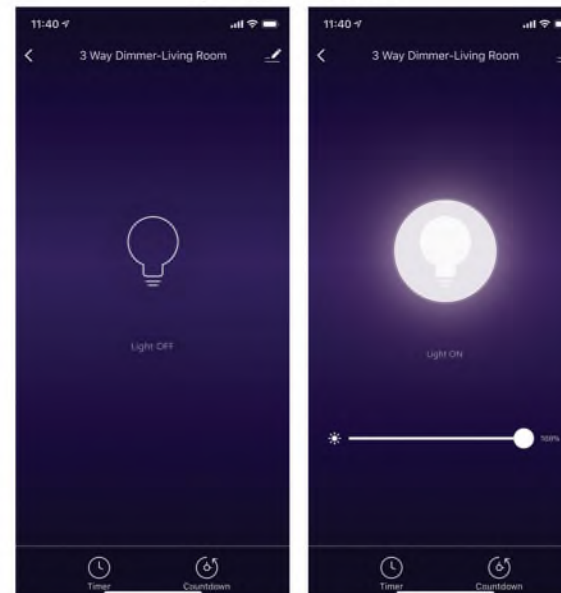
d. Select type of device



i. Device Home Screen



j. ON/OFF Control



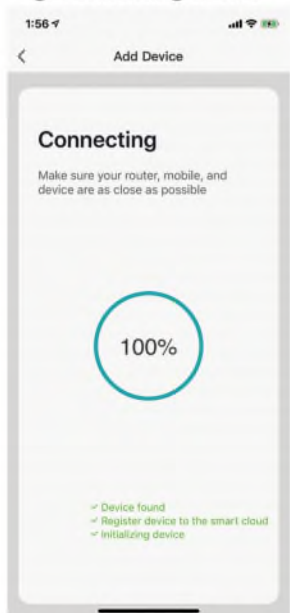
e. Confirm Rapid Blink or Tap "Help"



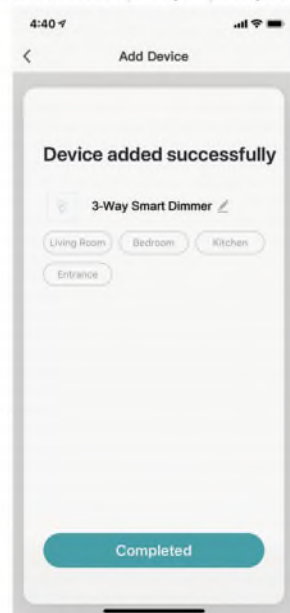
f. Enter 2.4GHz Wi-Fi password



g. Connecting device



h. Edit Name or Tap "Completed"



Not all Wi-Fi installations are the same. If you are having trouble connecting your device, please ensure your phone/tablet being used to connect the device is connected to your 2.4GHz Wi-Fi band only. Try connection in both Normal Mode and AP mode. Visit our website, www.cesmarthome.com, for FAQs and help troubleshooting.

LED INDICATOR LIGHT ON SWITCH

- Quick Flashing in Green:** Connecting to the network.
- Slow Flashing in Green:** AP mode.
- Green Light Off:** Connected to the network.
- Solid Green:** Failed to connect to network.
- Solid Blue:** The Wi-Fi dimmer is switched on.
- Blue Light Off:** The Wi-Fi dimmer is switched off.

CE SMART APP REFERENCE GUIDE

For additional information and the detailed CE Smart App Reference Guide, please visit our website at www.CESmartHome.com.

Add Device + Normal Mode (Default Method)

- Tap "Add Device" or the "+" in the upper right corner of the screen to enter device connection page.
- Select Device Type: Select "Light Switches".
- There are two Wi-Fi network connection methods (Normal Mode and AP Mode.) Normal Mode is the default and connects via your 2.4GHz Wi-Fi channel only. (Does not work with 5GHz channel.) Normal mode allows you to connect several CE Smart devices at the same time.
- For Normal Mode, please make sure the indicator light on the Dimmer Switch is set to flashing rapidly (2 times per second).
- Tap "Confirm indicator rapidly blink."
- Enter your 2.4GHz Wi-Fi password and tap "OK" to enter the device connection process.
- Device Connection Process will begin and connect device.

AP Mode (Access Point)

- Tap "AP Mode" in upper right screen.
- Connect your phone to 2.4GHz Wi-Fi.
- In AP Mode your device broadcasts a device name in your phone's Wi-Fi Settings that allows the Wi-Fi device to connect to your network. AP mode allows you to connect devices one by one. Use

- this alternate method if not able to connect the device to your network in Normal Mode.
- Make sure the device's indicator light is slowly flashing (1 time every 2 seconds).
 - Tap "Confirm indicator slowly blink".
 - Enter your 2.4GHz Wi-Fi password and tap "OK."
 - Tap "Go Connect" to Open Wi-Fi Settings to locate Device's Access Point Wi-Fi name.
 - Locate then Tap to Connect to the Wi-Fi device name, i.e. CE Smart_XXXX or SmartLife_XXXX.
 - Go back to CE Smart app.
 - Device Connection Process will begin and connect device.

Restoring Factory Defaults

Press and Hold the top or bottom paddle button for 20 seconds until the LED indicator flashes briefly, then release the paddle button and wait until the Green LED starts flashing quickly.

You may also reset the dimmer light switch by carefully removing the faceplate and pressing the small reset button on the lower right side of the dimmer light switch for 3 seconds.

Please note: When power is reconnected after an interruption, the green LED indicator will flash quickly, which means that the dimmer is searching for Wi-Fi. It will stop flashing.

CUSTOMER SERVICE: 1-877-941-2525
M-F 9:00 a.m. - 4:00 p.m. Central time/English, French

Email: Visit www.cesmarthome.com and click "Contact us" to submit a ticket.

Made in China

All trade names are registered trademarks of respective manufacturers listed. iOS is a trademark or registered trademark of Cisco in the U.S. and other countries. Apple, the Apple logo, Siri Shortcuts, iPad, iPhone, and iPad touch are trademarks of Apple Inc., registered in the U.S. and other countries. Google, Android, and Google Play are trademarks of Google LLC. Amazon Alexa and all related logos are trademarks of Amazon.com, Inc. or its affiliates. Wi-Fi® is a registered trademark of Wi-Fi Alliance®.